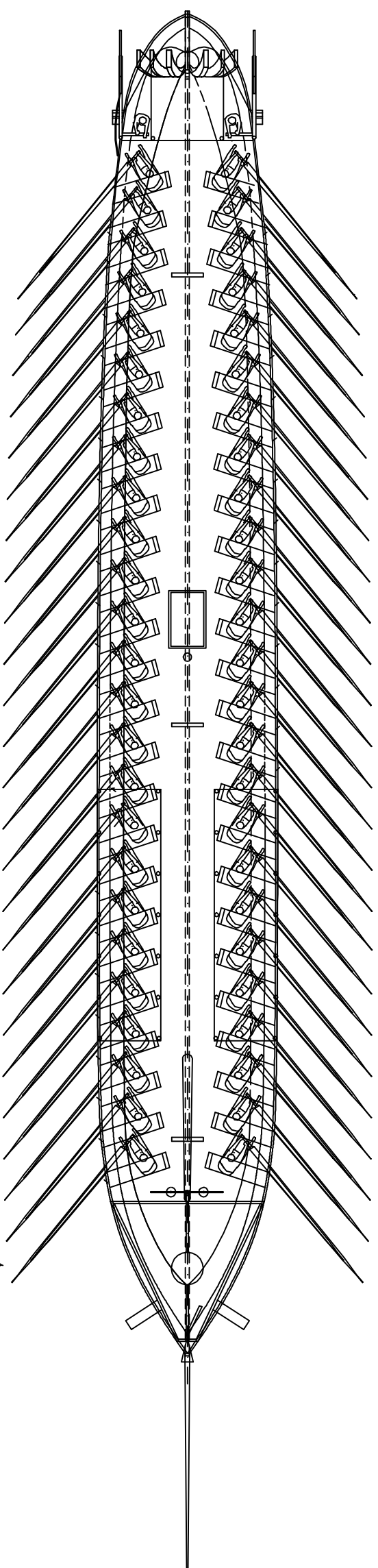
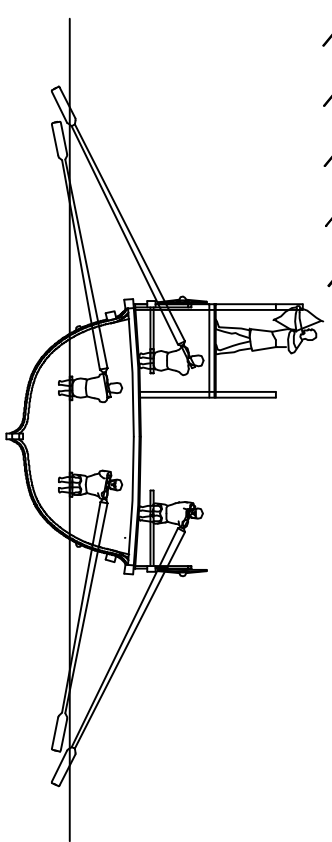


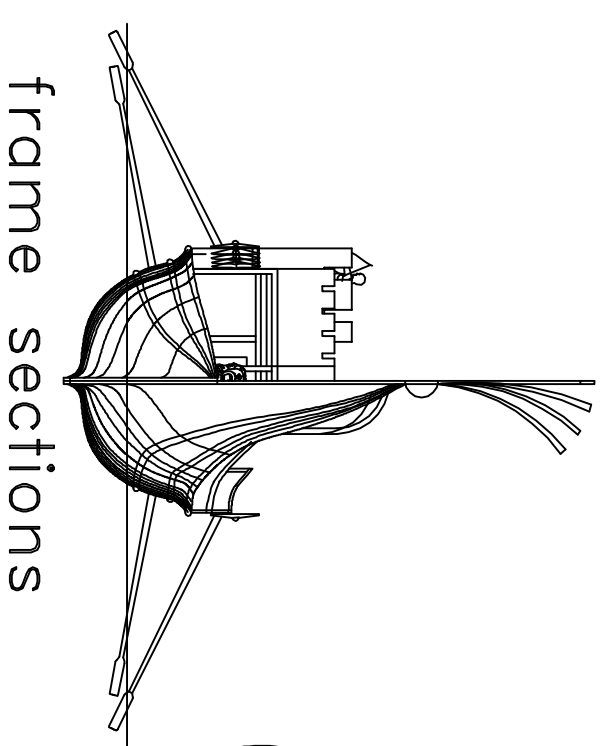
stern elevation 1:100



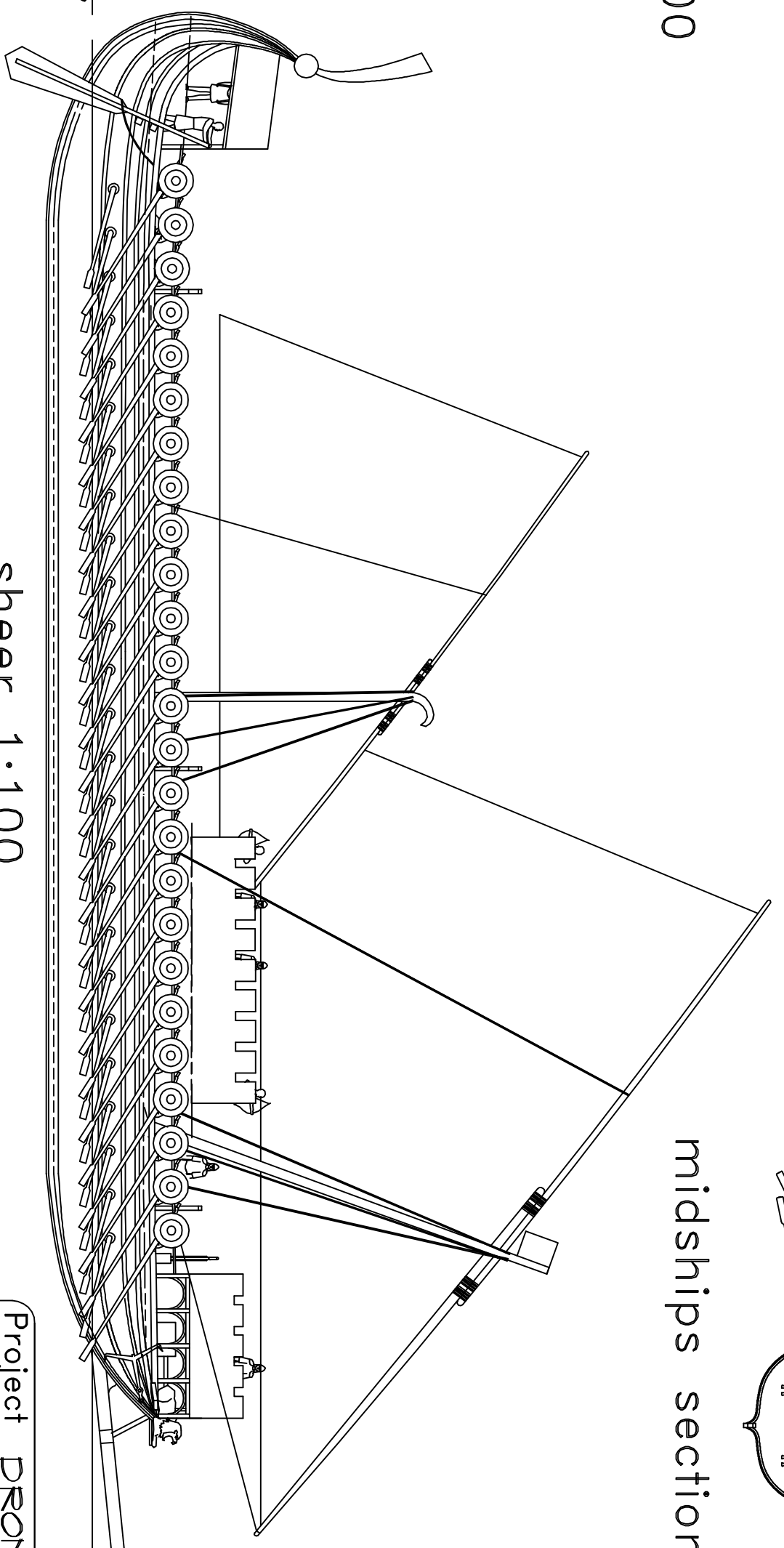
plan 1:100



midships section 1:100



frame sections
1:100



sheer 1:100

scale 1:100
date 26 FEB 2015

Project DRAGON